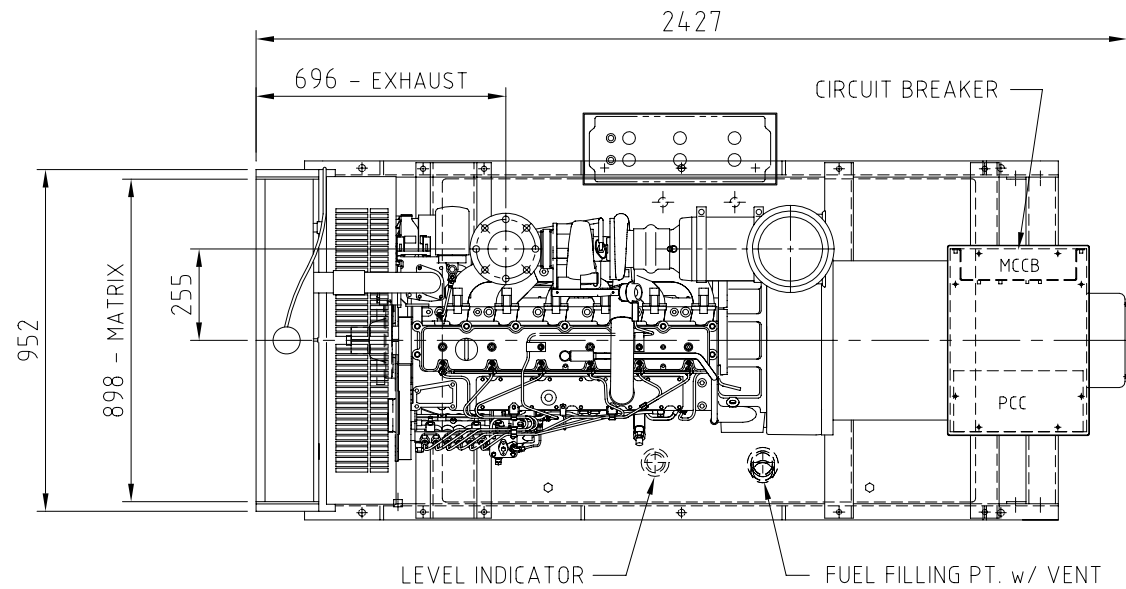


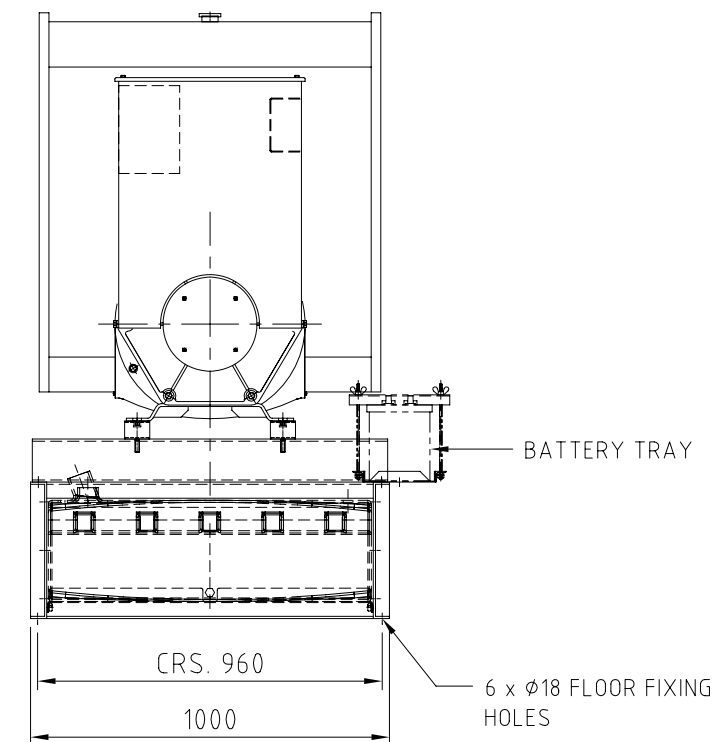
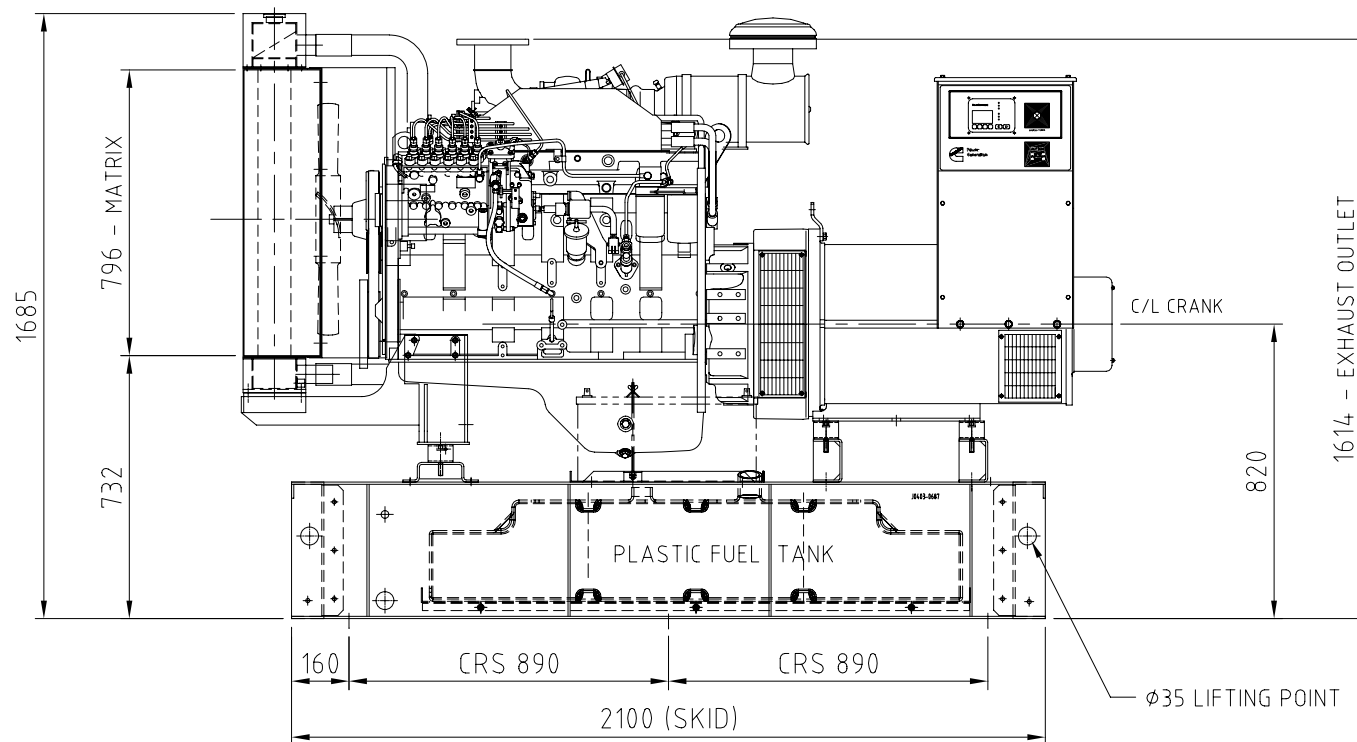
J0500-0711

B

| REL NO | LTR | NO | REVISION | ZONE | DR | CHKR | APPROVED | DATE |
|--------|-----|----|-------------|------|----|------|----------|-----------|
| - | - | 1 | 1ST RELEASE | - | SC | CL | CL | 14-AUG-06 |



| | |
|---------------|-----------------------------|
| ENGINE | CUMMINS 6CTA8.3 G2 |
| RADIATOR | 50° AMBIENT |
| ALTERNATOR | NEWAGE UC274H |
| GENSET WT. | 1870 KG (DRY) 1940 KG (WET) |
| CENTRE HT. | 468 mm |
| FAN CENTRE | 292 mm |
| EXH. CONN. | 4" FLANGE JIS '5K' |
| FUEL INLET | 1/4" NPTF |
| FUEL OUTLET | 1/6" O.D. TUBE |
| MOUNTS | RUBBER |
| FUEL TANK | 340 LITRES |
| WT. WITH TANK | 1892 KG (DRY) 2243 KG (WET) |



| METRIC DWG | | TOLERANCE UNLESS OTHERWISE SPECIFIED | | SIM TO | | QTY | | ITEM | | PART NO. | | DWG SIZE | | DESCRIPTION OR MATERIAL | | REF DES | | | |
|-----------------------|--|--------------------------------------|------|------------------------|---|------------------------------------------------------------------------------------------------------------------------------------------------------------------------------------------------------------------------------------------------------|---|---------------|--------|---------------|------|--------------------------------------------------------------------------|------|-------------------------|------|-------------|--------------------------|--------------------------------------|--|
| AUTOCAD DWG | | mm | Inch | COPIED FROM | - | - | - | DR | S.CHUA | 14-AUG-06 | DATE | | NAME | | DATE | | CUMMINS POWER GENERATION | | |
| DO NOT SCALE PRINT | | ANG TOL ± 1° | | THIRD ANGLE PROJECTION | | THIS DOCUMENT IS THE PROPERTY OF CUMMINS POWER GENERATION. IT CONTAINS PROPRIETARY AND CONFIDENTIAL INFORMATION WHICH MUST NOT BE DUPLICATED, USED OR DISCLOSED OTHER THAN AS EXPRESSLY AUTHORIZED BY CUMMINS POWER GENERATION OR ITS REPRESENTATIVE | | CHKR | | C.LIM | | 14-AUG-06 | | APPROVED | | C.LIM | | 44 PIONEER SECTOR 2 SINGAPORE 628395 | |
| DRAW TO SCALE OF 1/20 | | HOLE | | 0.09- 4.99 | | +0.15/-0.08 | | .004-. 200 | | + .006/- .003 | | FOR INTERPRETATION OF DIMENSIONING AND TOLERANCING, SEE ANSI Y14.5M-1982 | | MODEL FIRST USED ON | | C200D5S-STK | | TITLE | |
| ANG TOL ± 1° | | . X ± . 5 | | . XX ± . 25 | | 5.00- 9.99 | | +0.20/-0.10 | | . 201-. 421 | | + .008/- .004 | | SITE CODE | | PGS | | GENSET OUTLINE STOCK SPEC | |
| DRAW TO SCALE OF 1/20 | | 10.00-17.49 | | +0.25/-0.13 | | . 422-. 703 | | + .010/- .005 | | 14-AUG-06 | | DATE | | DATE | | DATE | | DATE | |
| DRAW TO SCALE OF 1/20 | | 17.50-24.99 | | +0.30/-0.13 | | . 704-. 999 | | + .012/- .005 | | 14-AUG-06 | | DATE | | DATE | | DATE | | DATE | |
| DRAW TO SCALE OF 1/20 | | 17.50-24.99 | | +0.30/-0.13 | | . 704-. 999 | | + .012/- .005 | | 14-AUG-06 | | DATE | | DATE | | DATE | | DATE | |
| DRAW TO SCALE OF 1/20 | | 17.50-24.99 | | +0.30/-0.13 | | . 704-. 999 | | + .012/- .005 | | 14-AUG-06 | | DATE | | DATE | | DATE | | DATE | |
| DRAW TO SCALE OF 1/20 | | 17.50-24.99 | | +0.30/-0.13 | | . 704-. 999 | | + .012/- .005 | | 14-AUG-06 | | DATE | | DATE | | DATE | | DATE | |
| DRAW TO SCALE OF 1/20 | | 17.50-24.99 | | +0.30/-0.13 | | . 704-. 999 | | + .012/- .005 | | 14-AUG-06 | | DATE | | DATE | | DATE | | DATE | |
| DRAW TO SCALE OF 1/20 | | 17.50-24.99 | | +0.30/-0.13 | | . 704-. 999 | | + .012/- .005 | | 14-AUG-06 | | DATE | | DATE | | DATE | | DATE | |
| DRAW TO SCALE OF 1/20 | | 17.50-24.99 | | +0.30/-0.13 | | . 704-. 999 | | + .012/- .005 | | 14-AUG-06 | | DATE | | DATE | | DATE | | DATE | |
| DRAW TO SCALE OF 1/20 | | 17.50-24.99 | | +0.30/-0.13 | | . 704-. 999 | | + .012/- .005 | | 14-AUG-06 | | DATE | | DATE | | DATE | | DATE | |
| DRAW TO SCALE OF 1/20 | | 17.50-24.99 | | +0.30/-0.13 | | . 704-. 999 | | + .012/- .005 | | 14-AUG-06 | | DATE | | DATE | | DATE | | DATE | |
| DRAW TO SCALE OF 1/20 | | 17.50-24.99 | | +0.30/-0.13 | | . 704-. 999 | | + .012/- .005 | | 14-AUG-06 | | DATE | | DATE | | DATE | | DATE | |
| DRAW TO SCALE OF 1/20 | | 17.50-24.99 | | +0.30/-0.13 | | . 704-. 999 | | + .012/- .005 | | 14-AUG-06 | | DATE | | DATE | | DATE | | DATE | |
| DRAW TO SCALE OF 1/20 | | 17.50-24.99 | | +0.30/-0.13 | | . 704-. 999 | | + .012/- .005 | | 14-AUG-06 | | DATE | | DATE | | DATE | | DATE | |
| DRAW TO SCALE OF 1/20 | | 17.50-24.99 | | +0.30/-0.13 | | . 704-. 999 | | + .012/- .005 | | 14-AUG-06 | | DATE | | DATE | | DATE | | DATE | |
| DRAW TO SCALE OF 1/20 | | 17.50-24.99 | | +0.30/-0.13 | | . 704-. 999 | | + .012/- .005 | | 14-AUG-06 | | DATE | | DATE | | DATE | | DATE | |
| DRAW TO SCALE OF 1/20 | | 17.50-24.99 | | +0.30/-0.13 | | . 704-. 999 | | + .012/- .005 | | 14-AUG-06 | | DATE | | DATE | | DATE | | DATE | |
| DRAW TO SCALE OF 1/20 | | 17.50-24.99 | | +0.30/-0.13 | | . 704-. 999 | | + .012/- .005 | | 14-AUG-06 | | DATE | | DATE | | DATE | | DATE | |
| DRAW TO SCALE OF 1/20 | | 17.50-24.99 | | +0.30/-0.13 | | . 704-. 999 | | + .012/- .005 | | 14-AUG-06 | | DATE | | DATE | | DATE | | DATE | |
| DRAW TO SCALE OF 1/20 | | 17.50-24.99 | | +0.30/-0.13 | | . 704-. 999 | | + .012/- .005 | | 14-AUG-06 | | DATE | | DATE | | DATE | | DATE | |
| DRAW TO SCALE OF 1/20 | | 17.50-24.99 | | +0.30/-0.13 | | . 704-. 999 | | + .012/- .005 | | 14-AUG-06 | | DATE | | DATE | | DATE | | DATE | |
| DRAW TO SCALE OF 1/20 | | 17.50-24.99 | | +0.30/-0.13 | | . 704-. 999 | | + .012/- .005 | | 14-AUG-06 | | DATE | | DATE | | DATE | | DATE | |
| DRAW TO SCALE OF 1/20 | | 17.50-24.99 | | +0.30/-0.13 | | . 704-. 999 | | + .012/- .005 | | 14-AUG-06 | | DATE | | DATE | | DATE | | DATE | |
| DRAW TO SCALE OF 1/20 | | 17.50-24.99 | | +0.30/-0.13 | | . 704-. 999 | | + .012/- .005 | | 14-AUG-06 | | DATE | | DATE | | DATE | | DATE | |
| DRAW TO SCALE OF 1/20 | | 17.50-24.99 | | +0.30/-0.13 | | . 704-. 999 | | + .012/- .005 | | 14-AUG-06 | | DATE | | DATE | | DATE | | DATE | |
| DRAW TO SCALE OF 1/20 | | 17.50-24.99 | | +0.30/-0.13 | | . 704-. 999 | | + .012/- .005 | | 14-AUG-06 | | DATE | | DATE | | DATE | | DATE | |
| DRAW TO SCALE OF 1/20 | | 17.50-24.99 | | +0.30/-0.13 | | . 704-. 999 | | + .012/- .005 | | 14-AUG-06 | | DATE | | DATE | | DATE | | DATE | |
| DRAW TO SCALE OF 1/20 | | 17.50-24.99 | | +0.30/-0.13 | | . 704-. 999 | | + .012/- .005 | | 14-AUG-06 | | DATE | | DATE | | DATE | | DATE | |
| DRAW TO SCALE OF 1/20 | | 17.50-24.99 | | +0.30/-0.13 | | . 704-. 999 | | + .012/- .005 | | 14-AUG-06 | | DATE | | DATE | | DATE | | DATE | |
| DRAW TO SCALE OF 1/20 | | 17.50-24.99 | | +0.30/-0.13 | | . 704-. 999 | | + .012/- .005 | | 14-AUG-06 | | DATE | | DATE | | DATE | | DATE | |
| DRAW TO SCALE OF 1/20 | | 17.50-24.99 | | +0.30/-0.13 | | . 704-. 999 | | + .012/- .005 | | 14-AUG-06 | | DATE | | DATE | | DATE | | DATE | |
| DRAW TO SCALE OF 1/20 | | 17.50-24.99 | | +0.30/-0.13 | | . 704-. 999 | | + .012/- .005 | | 14-AUG-06 | | DATE | | DATE | | DATE | | DATE | |
| DRAW TO SCALE OF 1/20 | | 17.50-24.99 | | +0.30/-0.13 | | . 704-. 999 | | + .012/- .005 | | 14-AUG-06 | | DATE | | DATE | | DATE | | DATE | |
| DRAW TO SCALE OF 1/20 | | 17.50-24.99 | | +0.30/-0.13 | | . 704-. 999 | | + .012/- .005 | | 14-AUG-06 | | DATE | | DATE | | DATE | | DATE | |
| DRAW TO SCALE OF 1/20 | | 17.50-24.99 | | +0.30/-0.13 | | . 704-. 999 | | + .012/- .005 | | 14-AUG-06 | | DATE | | DATE | | DATE | | DATE | |
| DRAW TO SCALE OF 1/20 | | 17.50-24.99 | | +0.30/-0.13 | | . 704-. 999 | | + .012/- .005 | | 14-AUG-06 | | DATE | | DATE | | DATE | | DATE | |
| DRAW TO SCALE OF 1/20 | | 17.50-24.99 | | +0.30/-0.13 | | . 704-. 999 | | + .012/- .005 | | 14-AUG-06 | | DATE | | DATE | | DATE | | DATE | |
| DRAW TO SCALE OF 1/20 | | 17.50-24.99 | | +0.30/-0.13 | | . 704-. 999 | | + .012/- .005 | | 14-AUG-06 | | DATE | | DATE | | DATE | | DATE | |
| DRAW TO SCALE OF 1/20 | | 17.50-24.99 | | +0.30/-0.13 | | . 704-. 999 | | + .012/- .005 | | 14-AUG-06 | | DATE | | DATE | | DATE | | DATE | |
| DRAW TO SCALE OF 1/20 | | 17.50-24.99 | | +0.30/-0.13 | | . 704-. 999 | | + .012/- .005 | | 14-AUG-06 | | DATE | | DATE | | DATE | | DATE | |
| DRAW TO SCALE OF 1/20 | | 17.50-24.99 | | +0.30/-0.13 | | . 704-. 999 | | + .012/- .005 | | 14-AUG-06 | | DATE | | DATE | | DATE | | DATE | |
| DRAW TO SCALE OF 1/20 | | 17.50-24.99 | | +0.30/-0.13 | | . 704-. 999 | | + .012/- .005 | | 14-AUG-06 | | DATE | | DATE | | DATE | | DATE | |
| DRAW TO SCALE OF 1/20 | | 17.50-24.99 | | +0.30/-0.13 | | . 704-. 999 | | + .012/- .005 | | 14-AUG-06 | | DATE | | DATE | | DATE | | DATE | |
| DRAW TO SCALE OF 1/20 | | 17.50-24.99 | | +0.30/-0.13 | | . 704-. 999 | | + .012/- .005 | | 14-AUG-06 | | DATE | | DATE | | DATE | | DATE | |
| DRAW TO SCALE OF 1/20 | | 17.50-24.99 | | +0.30/-0.13 | | . 704-. 999 | | + .012/- .005 | | 14-AUG-06 | | DATE | | DATE | | DATE | | DATE | |
| DRAW TO SCALE OF 1/20 | | 17.50-24.99 | | +0.30/-0.13 | | . 704-. 999 | | + .012/- .005 | | 14-AUG-06 | | DATE | | DATE | | DATE | | DATE | |
| DRAW TO SCALE OF 1/20 | | 17.50-24.99 | | +0.30/-0.13 | | . 704-. 999 | | + .012/- .005 | | 14-AUG-06 | | DATE | | DATE | | DATE | | DATE | |
| DRAW TO SCALE OF 1/20 | | 17.50-24.99 | | +0.30/-0.13 | | . 704-. 999 | | + .012/- .005 | | 14-AUG-06 | | DATE | | DATE | | DATE | | DATE | |
| DRAW TO SCALE OF 1/20 | | 17.50-24.99 | | +0.30/-0.13 | | . 704-. 999 | | + .012/- .005 | | 14-AUG-06 | | DATE | | DATE | | DATE | | DATE | |
| DRAW TO SCALE OF 1/20 | | 17.50-24.99 | | +0.30/-0.13 | | . 704-. 999 | | + .012/- .005 | | 14-AUG-06 | | DATE | | DATE | | DATE | | DATE | |
| DRAW TO SCALE OF 1/20 | | 17.50-24.99 | | +0.30/-0.13 | | . 704-. 999 | | + .012/- .005 | | 14-AUG-06 | | DATE | | DATE | | DATE | | DATE | |
| DRAW TO SCALE OF 1/20 | | 17.50-24.99 | | +0.30/-0.13 | | . 704-. 999 | | + .012/- .005 | | 14-AUG-06 | | DATE | | DATE | | DATE | | DATE | |
| DRAW TO SCALE OF 1/20 | | 17.50-24.99 | | +0.30/-0.13 | | . 704-. 999 | | + .012/- .005 | | 14-AUG-06 | | DATE | | DATE | | DATE | | DATE | |
| DRAW TO SCALE OF 1/20 | | 17.50-24.99 | | +0.30/-0.13 | | . 704-. 999 | | + .012/- .005 | | 14-AUG-06 | | DATE | | DATE | | DATE | | DATE | |
| DRAW TO SCALE OF 1/20 | | 17.50-24.99 | | +0.30/-0.13 | | . 704-. 999 | | + .012/- .005 | | 14-AUG-06 | | DATE | | DATE | | DATE | | DATE | |
| DRAW TO SCALE OF 1/20 | | 17.50-24.99 | | +0.30/-0.13 | | . 704-. 999 | | + .012/- .005 | | 14-AUG-06 | | DATE | | DATE | | DATE | | DATE | |
| DRAW TO SCALE OF 1/20 | | 17.50-24.99 | | +0.30/-0.13 | | . 704-. 999 | | + .012/- .005 | | 14-AUG-06 | | DATE | | DATE | | DATE | | DATE | |
| DRAW TO SCALE OF 1/20 | | 17.50-24.99 | | +0.30/-0.13 | | . 704-. 999 | | + .012/- .005 | | 14-AUG-06 | | DATE | | DATE | | DATE | | DATE | |
| DRAW TO SCALE OF 1/20 | | 17.50-24.99 | | +0.30/-0.13 | | . 704-. 999 | | + .012/- .005 | | 14-AUG-06 | | DATE | | DATE | | DATE | | DATE | |
| DRAW TO SCALE OF 1/20 | | 17.50-24.99 | | +0.30/-0.13 | | . 704-. 999 | | + .012/- .005 | | 14-AUG-06 | | DATE | | DATE | | DATE | | DATE | |
| DRAW TO SCALE OF 1/20 | | 17.50-24.99 | | +0.30/-0.13 | | . 704-. 999 | | + .012/- .005 | | 14-AUG-06 | | DATE | | DATE | | DATE | | DATE | |
| DRAW TO SCALE OF 1/20 | | 17.50-24.99 | | +0.30/-0.13 | | . 704-. 999 | | + .012/- .005 | | 14-AUG-06 | | DATE | | DATE | | DATE | | DATE | |
| DRAW TO SCALE OF 1/20 | | 17.50-24.99 | | +0.30/-0.13 | | . 704-. 999 | | + .012/- .005 | | 14-AUG-06 | | DATE | | DATE | | DATE | | DATE | |
| DRAW TO SCALE OF 1/20 | | 17.50-24.99 | | +0.30/-0.13 | | . 704-. 999 | | + .012/- .005 | | 14-AUG-06 | | DATE | | DATE | | DATE | | DATE | |
| DRAW TO SCALE OF 1/20 | | 17.50-24.99 | | +0.30/-0.13 | | . 704-. 999 | | + .012/- .005 | | 14-AUG-06 | | DATE | | DATE | | DATE | | DATE | |
| DRAW TO SCALE OF 1/20 | | 17.50-24.99 | | +0.30/-0.13 | | . 704-. 999 | | + .012/- .005 | | 14-AUG-06 | | DATE | | DATE | | DATE | | DATE | |
| DRAW TO SCALE OF 1/20 | | 17.50-24.99 | | +0.30/-0.13 | | . 704-. 999 | | + .012/- .005 | | 14-AUG-06 | | DATE | | DATE | | | | | |