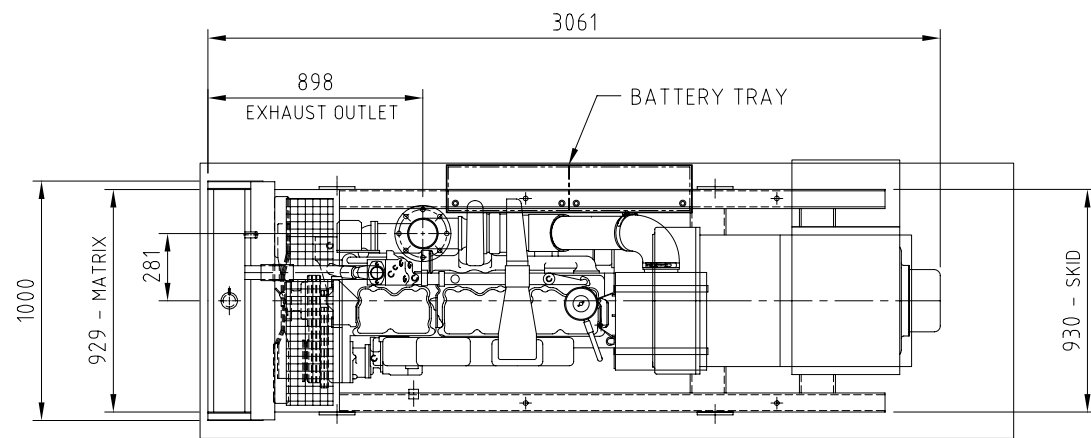


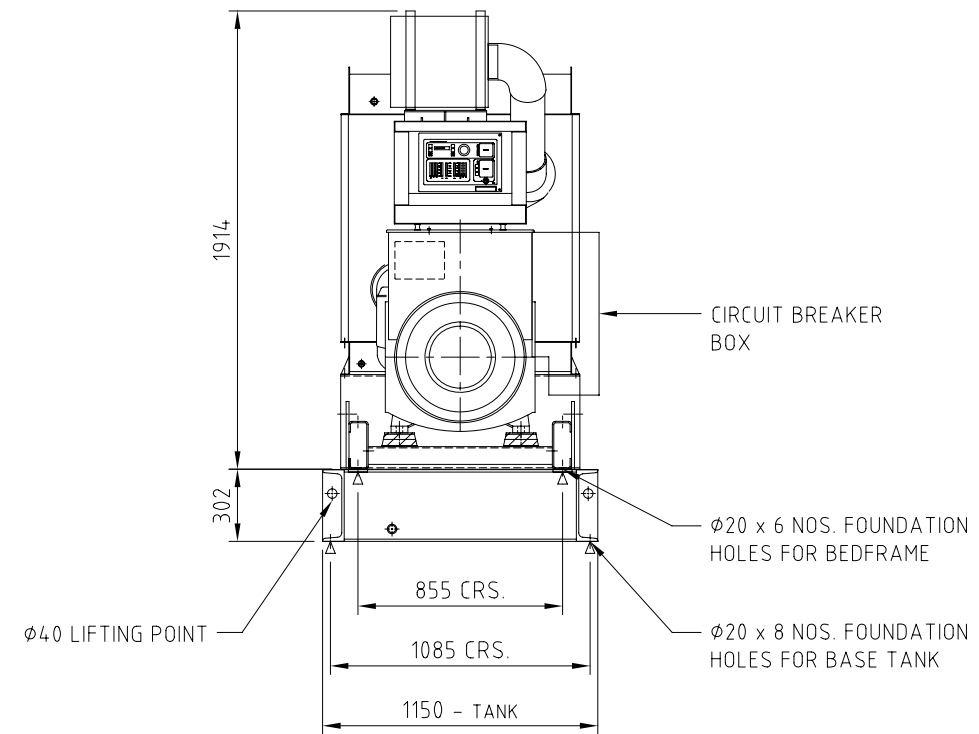
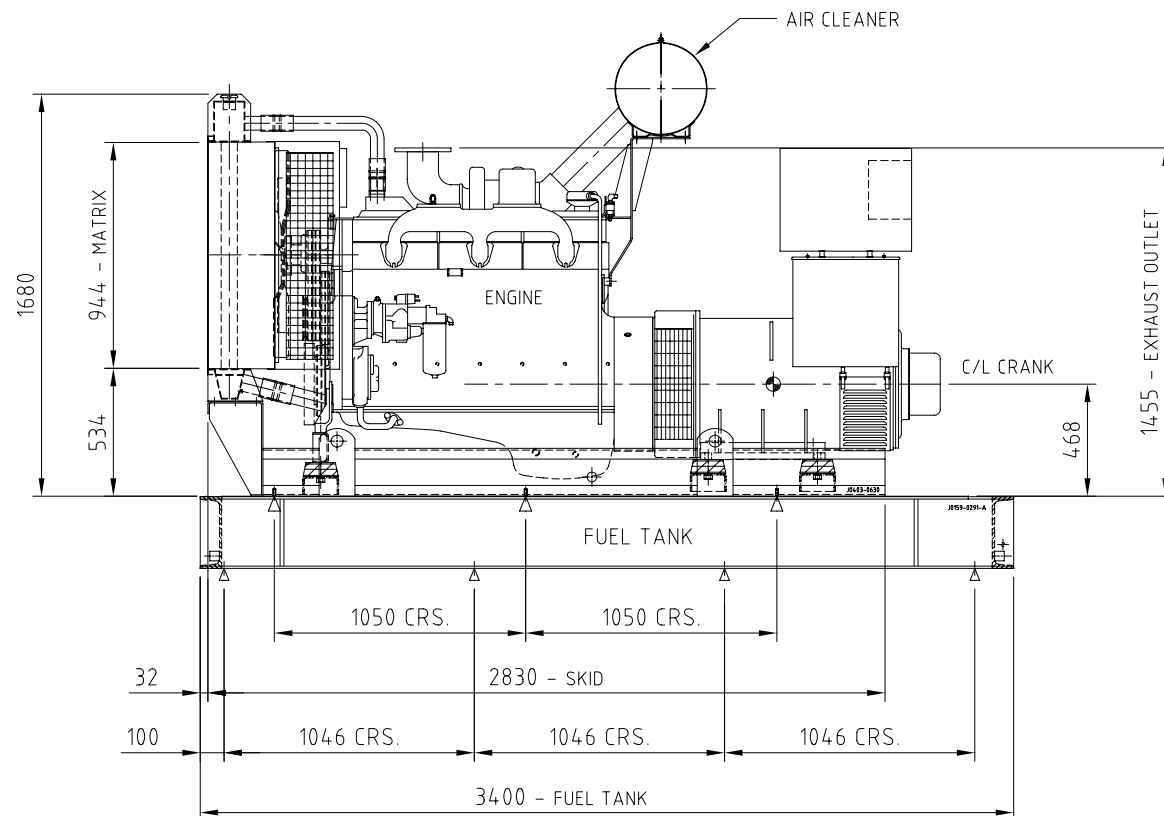
J0500-0713

B

REL NO	LTR	NO	REVISION	ZONE	DR	CHKR	APPROVED	DATE
-	-	1	1ST RELEASE	-	SC	CL	CL	17-AUG-06



ENGINE	CUMMINS NT855 G6
RADIATOR	40°C AMBIENT
ALTERNATOR	NEWAGE HC4E
GENSET WT.	2852 KG (DRY)    2960 KG (WET)
CENTRE HT.	468 mm
FAN CENTRE	540 mm
EXH. CONN.	Ø5" JIS '5K' FLANGE
FUEL INLET	7/8" - 14 UNF 2A TH'D WITH 45° TIP
FUEL OUTLET	3/4" - 16 UNF 2A TH'D WITH 45° TIP
MOUNTS	RUBBER - INTEGRAL
FUEL TANK	800 LITRES
WT. WITH TANK	3602 KG (DRY)    4380 KG (WET)



METRIC DWG		TOLERANCE UNLESS OTHERWISE SPECIFIED		SIM TO		QTY		ITEM		PART NO.		DWG SIZE		DESCRIPTION OR MATERIAL		REF DES	
AUTOCAD DWG		mm		Inch		-		DR		S.CHUA		17-AUG-06		DATE		CUMMINS POWER GENERATION	
DO NOT SCALE PRINT		X ±1		.XX ±.25		-		CHKR		C.LIM		17-AUG-06		DATE		44 PIONEER SECTOR 2 SINGAPORE 628395	
ANG TOL ±1°		0.09-4.99 +0.15/-0.08		.004-.200 +.006/- .003		-		MFG		C.LIM		17-AUG-06		DATE		TITLE	
DRAWN TO SCALE OF 1/30		5.00-9.99 +0.20/-0.10		.201-.421 +.008/- .004		-		APPROVED		C.LIM		17-AUG-06		DATE		GENSET OUTLINE STOCK SPEC	
		10.00-17.49 +0.25/-0.13		.422-.703 +.010/- .005		-		FOR INTERPRETATION OF DIMENSIONING AND TOLERANCING, SEE ANSI Y14.5M-1982		MODEL FIRST USED ON		C350D5-STK		SITE CODE		PGS	
		17.50-24.99 +0.30/-0.13		.704-.999 +.012/- .005		-								DWG NO.		J0500-0713	
														SHEET		1 OF 1	
														DWG SIZE		B	

PGS REF: