

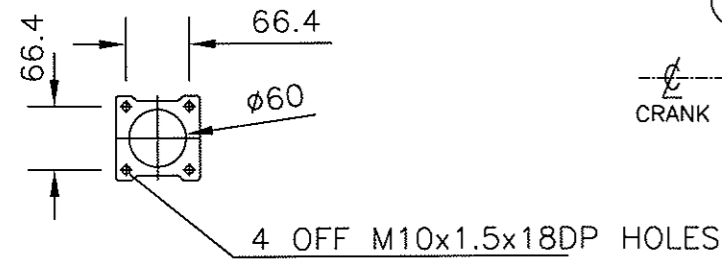
0500-3981

A3

REL. No.	LTR	No.	REVISION	ZONE	DRN	CHKR	APPROVED	DATE
PYGMY	1	1	PRELIMINARY RELEASE	-	AJW	DW	AITKEN	08/04/04
PYGMY	2	1	GENSET WEIGHTS REVISED	A4	DSW	DS	AITKEN	24/05/04

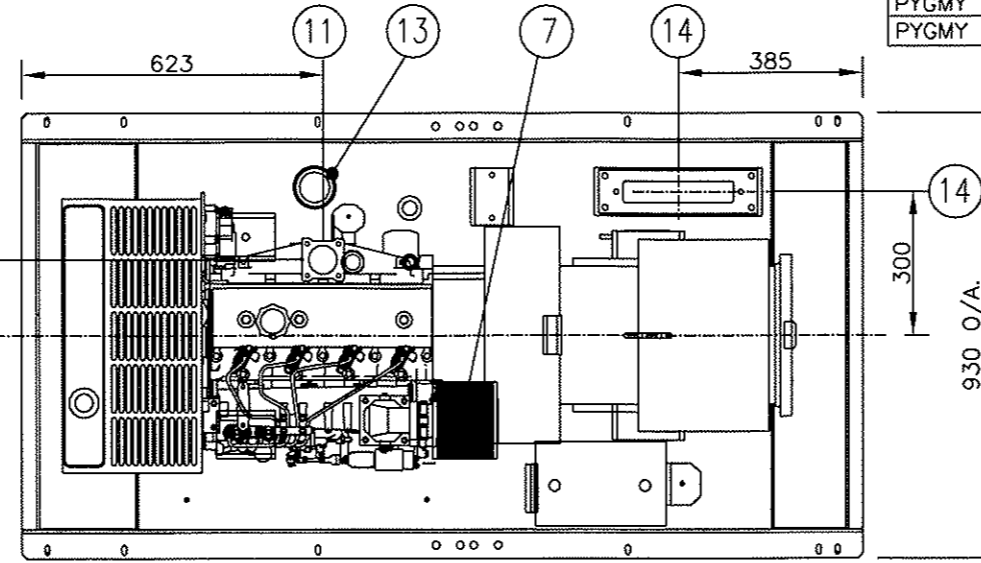
EXHAUST OUTLET DETAIL (ITEM 11)

SCALE 1:2



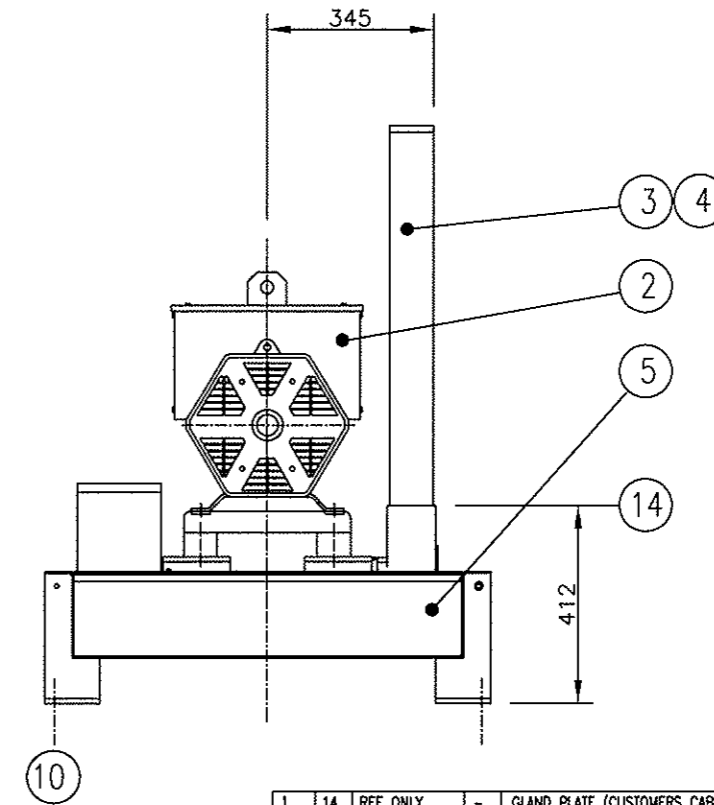
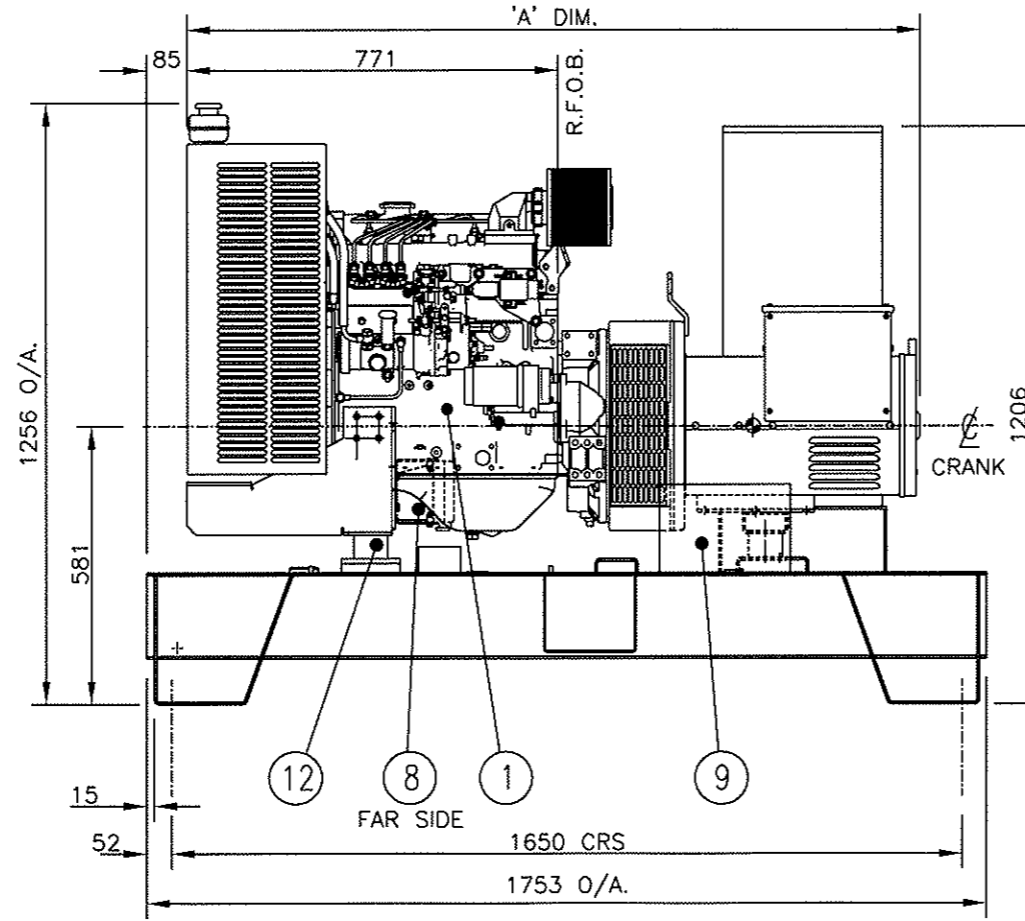
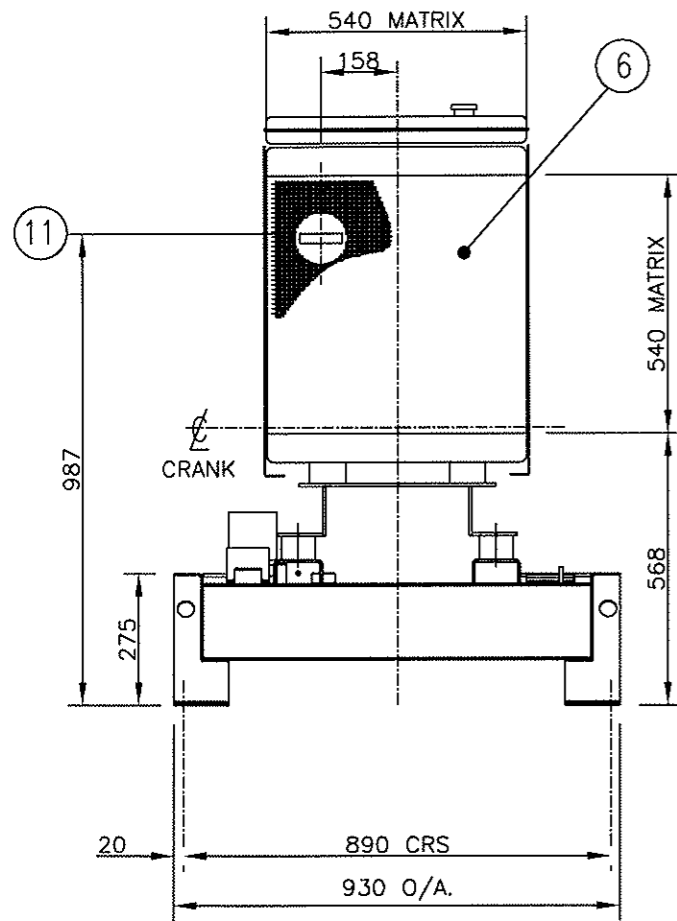
CRANK

11



NOTES:-

- CUSTOMER LOAD CABLES TO BE FLEXIBLE TO ALLOW FOR MOVEMENT OF GENSET ON A.V. MOUNTS.
- FOR LIFTING INFORMATION REFER TO LIFTING ILLUSTRATION DRAWING NUMBER 0539-2132.
- TERMS AND CONDITIONS CAN BE FOUND AT THE FOLLOWING :- www.cumminspower.com/terms



QTY	ITEM	PART No.	DESCRIPTION OR MATERIAL
1	14	REF ONLY	GLAND PLATE (CUSTOMERS CABLE CONNECTIONS)
1	13	REF ONLY	FUEL FILLER/BREATHER
4	12	REF ONLY	RESILIENT MOUNT
1	11	REF ONLY	EXHAUST OUTLET (SEE DETAIL)
4	10	REF ONLY	FIXING DOWN HOLES 20#
1	9	REF ONLY	BATTERY - 12V
1	8	REF ONLY	COOLANT HEATER
1	7	REF ONLY	AIR CLEANER - STANDBY (FOR HEAVY DUTY REFER TO DRG. 0179-3782)
1	6	REF ONLY	RADIATOR - DENSO
1	5	REF ONLY	SKID & TANK ASSEMBLY
1	4	REF ONLY	CONTROLLER - PCC1300
1	3	REF ONLY	CONTROL HOUSING
1	2	REF ONLY	ALTERNATOR - NEWAGE BC184E,G & H
1	1	REF ONLY	ENGINE - B3.3G1

MODEL	ENGINE	ALTERNATOR	DRY WEIGHT	WET WEIGHT	WET WEIGHT+FUEL	'A' DIM.
C22	B3.3G1	BC184E	544 KG.	609 KG.	731 KG.	1307
C33	B3.3G1	BC184G	580 KG.	645 KG.	767 KG.	1397
C38	B3.3G1	BC184H	640 KG.	705 KG.	827 KG.	1530

TOLERANCE UNLESS OTHERWISE SPECIFIED	SIMILAR TO	NAME	DATE
X = ±0.5 X.X = ±0.3 X.XX = ±0.15	COPIED FROM	TONY WATSON	08/04/04
0.09-4.99 = +0.15/-0.08 5.00-9.99 = +0.20/-0.10 10.00-17.49 = +0.25/-0.13 17.50-24.99 = +0.30/-0.13	THIRD ANGLE PROJECTION	CHECKED D SMITH	24/05/04
		APPROVED M AITKEN	25/05/04
		FOR INTERPRETATION OF DIMENSIONING AND TOLERANCING, SEE BS 308 Part 2	
		FIRST USED ON	
		C22 - C38	

Cummins Power Generation
Columbus Avenue, Manston, Ramsgate
Kent, CT12 5BF, England, UK

TITLE
GENSET-OUTLINE (B3.3)

SHEET 1 OF 2
DWG No. 0500-3981
DWG SIZE A3

AutoCAD

DO NOT SCALE PRINT

ANGLE TOL. ±1.0°
SCALE:

4

3

↑

2

1