

8

7

6

5

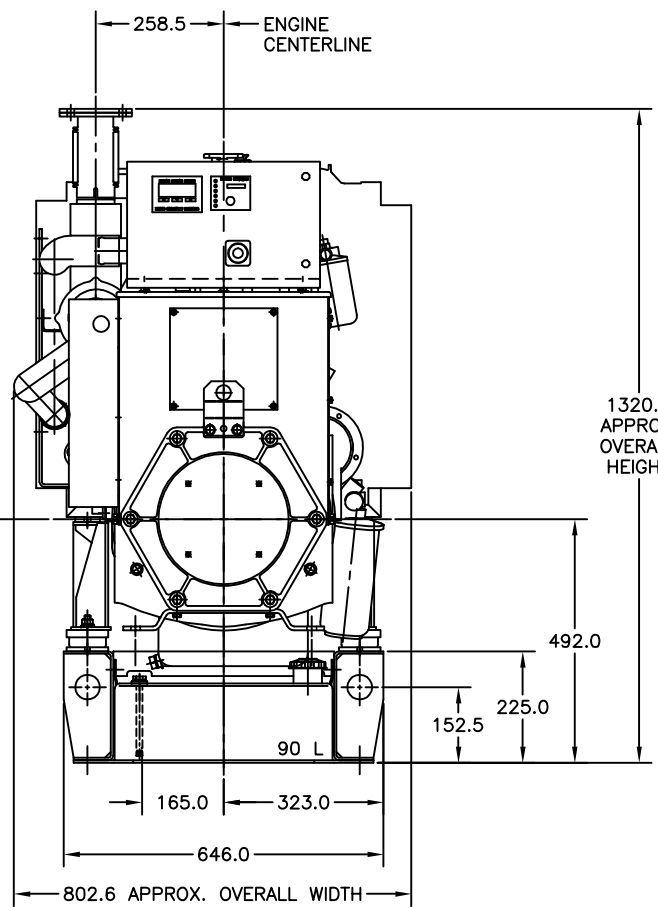
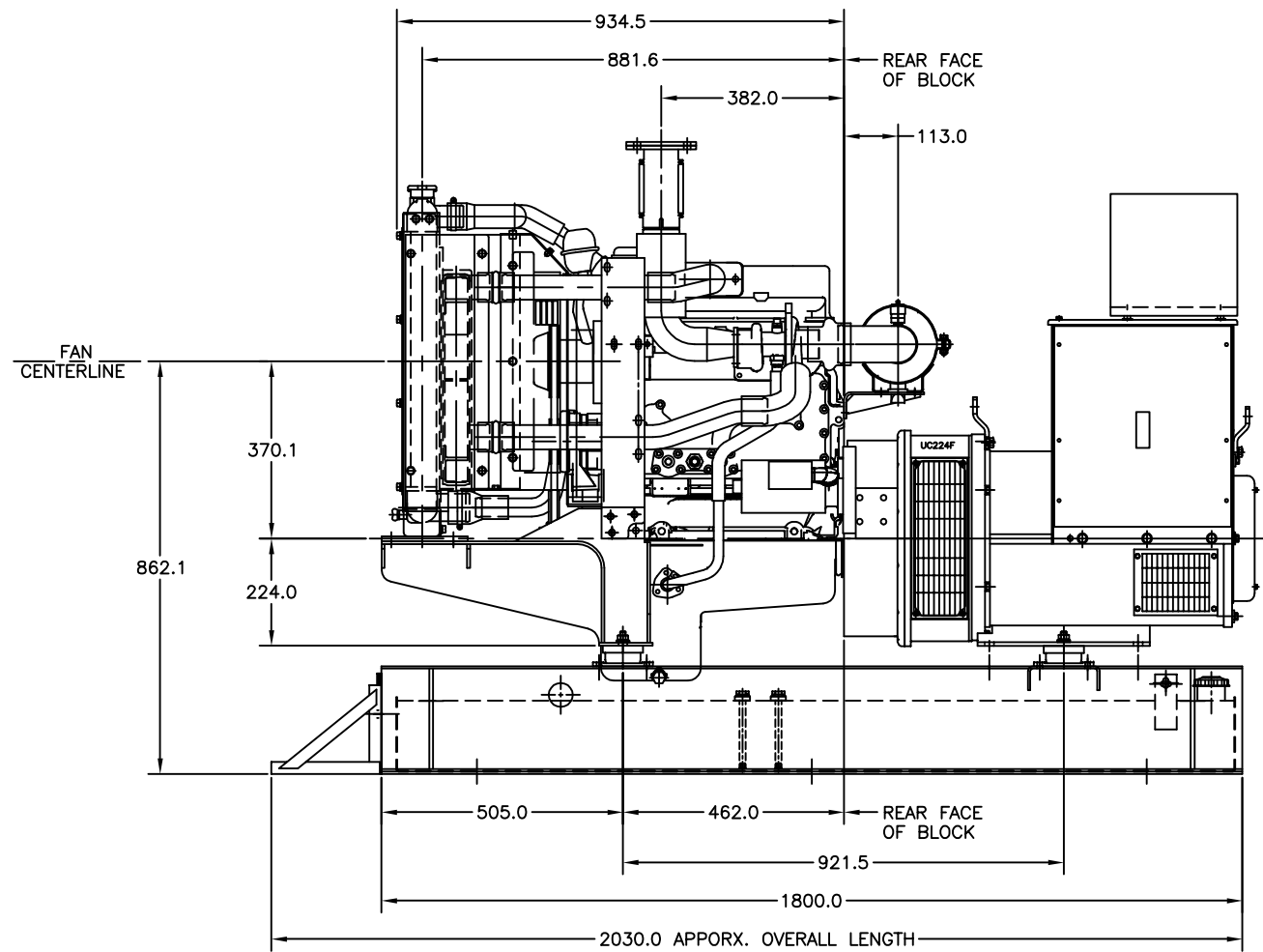
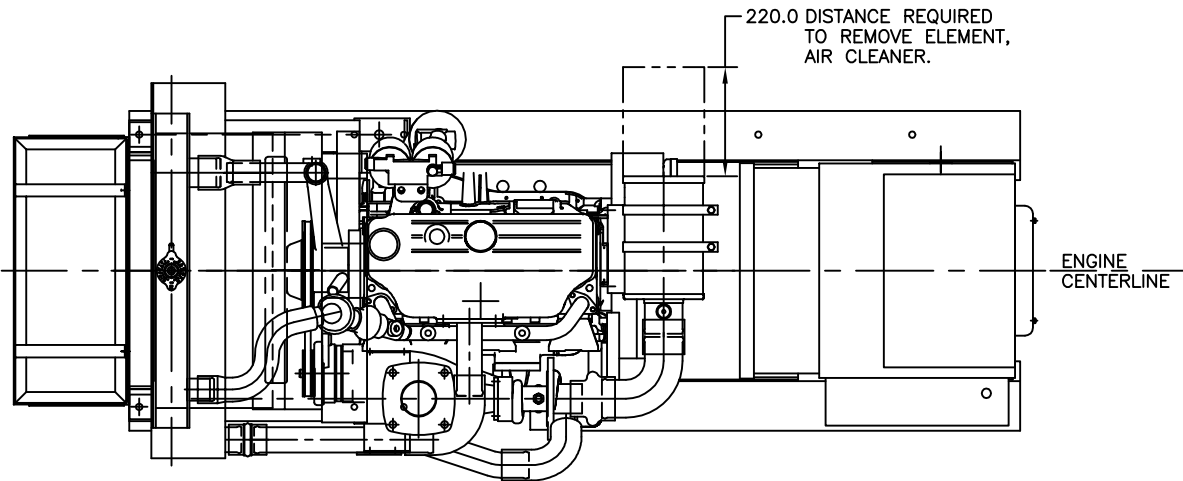
4

3

2

1

REVISIONS				
REV	DESCRIPTION	DRAFTER	CHECKER	APPROVAL



SYSTEM -  
S.O. NO. -  
CUSTOMER -  
APPLICATION - GENSET  
ENGINE MODEL - S3.8-G7  
REF. DWG. NO. -

THIS DOCUMENT (AND THE INFORMATION SHOWN THEREON) IS CONFIDENTIAL AND PROPRIETARY AND SHALL NOT BE DISCLOSED TO OTHERS IN HARD COPY OR ELECTRONIC FORM, REPRODUCED BY ANY MEANS, OR USED FOR ANY PURPOSE WITHOUT WRITTEN CONSENT OF CUMMINS INC.

Cummins Power Generation	
ITEM NAME	LAYOUT
IDENTIFIER	
DRAFTER	HANDE PANKAJ 27.10.04
CHECKER	E
DESIGN APPROVAL	

DIMENSIONING AND TOLERANCING PER	ASME Y14.5M-1994
REF. ITEM NO.:	
CHECKER	HANDE PANKAJ 27.10.04
DESIGN APPROVAL	

SCALE: 5:1 ITEM CONTROL SHEET 1 OF 2

8

7

6

5

4

3

2

1

8

7

6

5

4

3

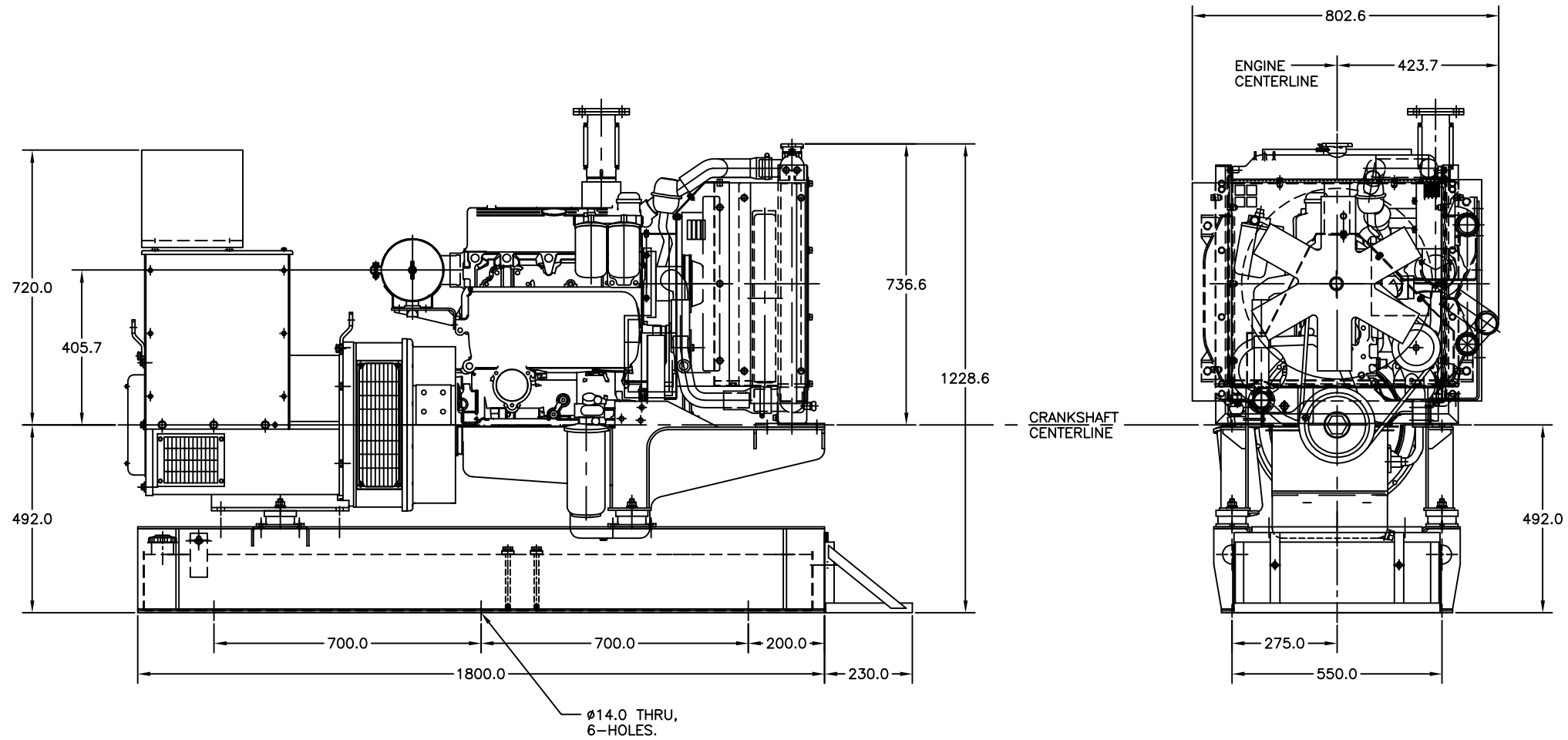
2

1

REVISIONS				
REV	DESCRIPTION	DRAFTER	CHECKER	APPROVAL

H  
G  
F  
E  
D  
C  
B  
A

H  
G  
F  
E  
D  
C  
B  
A



SYSTEM -  
 S.O. NO. -  
 CUSTOMER -  
 APPLICATION - GENSET  
 ENGINE MODEL - S3.8-G7  
 REF. DWG. NO. -

THIS DOCUMENT (AND THE INFORMATION SHOWN THEREON) IS CONFIDENTIAL AND PROPRIETARY AND SHALL NOT BE DISCLOSED TO OTHERS IN HARD COPY OR ELECTRONIC FORM, REPRODUCED BY ANY MEANS, OR USED FOR ANY PURPOSE WITHOUT WRITTEN CONSENT OF CUMMINS INC.

Cummins Power Generation	
ITEM NAME	LAYOUT
IDENTIFIER	
SIZE	CODE IDENT NO. ITEM NUMBER
E	NEW
SCALE	5:1 ITEM CONTROL SHEET 2 OF 2

DIMENSIONING AND TOLERANCING PER ASME Y14.5M-1994	
REF. ITEM NO.:	
DRAFTER	HANDE PANKAJ 27.10.04
CHECKER	E
DESIGN APPROVAL	

8

7

6

5

4

3

2

1